

PlayCenter NX™

Advanced Playcenter Kiosk
A Total Gaming Experience.

PlayCenter NX™ offers:

- Networked digital, high definition LCD multimedia display
- Brilliant LED Illuminated programmable jackpot display
- All of the functionality of a traditional kiosk.
- Cross-selling capability



Custom display options include:

- Current Jackpots
- Games & How-to-Play Information
- Winner Information
- Changeable Lottery or game graphics, video, images, and programs.

ATTRACT, ENGAGE & INFORM

Pro-Lite's new PlayCenter NX™ marries the accuracy and familiar appeal of Pro-Lite's updatable LED jackpot sign with engaging LCD touch screen interaction. Simple easy-to-use touch screen technology, bold high res images and a fully programmable jackpot display transform the traditional kiosk or play center, to attract and engage the player for enhanced sales and a streamlined play and purchase process. Of solid construction, PlayCenter NX™ combines advanced digital display; customized digital media, graphic design and layout, to represent the ultimate in Lottery Play Center Kiosk.



www.pro-litelottery.com

US Toll Free 1.855.533.5225 | International 1.714.786.6001

PlayCENTER NX™

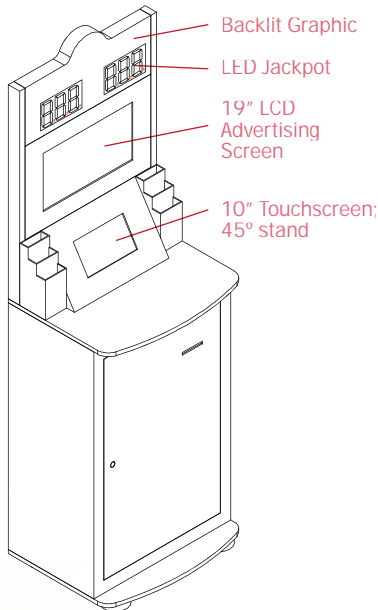
FEATURES

- 3" jackpot digits on header.
- LCD Advertising Screen for advertising and information.
- LCD interactive touch screen for lottery information and picking lucky numbers.
- Ticket tray can organize up to 10 different tickets.
- Tempered glass front panel.
- Easy assembly. Simply attach and secure upper section to lower section.
- Front door with lock for waste bin.

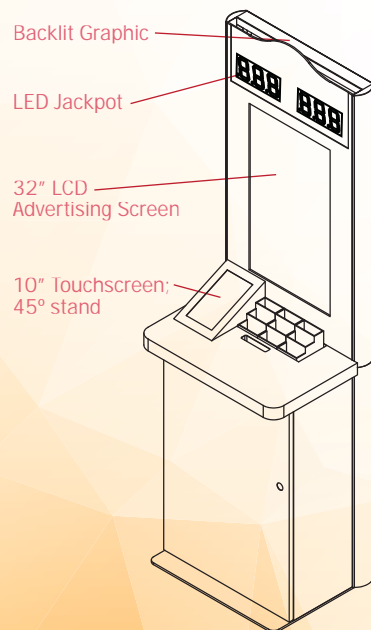
CUSTOMIZABLE OPTIONS

- Metal or wood casing
- Graphics
- Illuminated side paneling with multi-color effects.
- Vertical or horizontal LCD advertisements.
- Vertical or horizontal touchscreen placement.
- Advertising LCD sizes: 16:9; 15" / 19" / 32" / 37" / 42"
- Player Interactive Touchscreen LCD sizes: 16:9; 9" / 10"

19" LCD Kiosk



32" LCD Kiosk



Standard Specifications	
Housing	
Series I	Overall = 75" (H) x 24" (W) x 18" (Deep) Counter Space = 25" (L) x 10" (W) Counter Height from floor = 40"
Series II	Overall = 83.85" (H) x 23.25" (W) x 20" (Deep) Counter Space = 26" (L) x 10" (W) Counter Height from floor = 38"
Ticket Tray	
Size	3.75"(W)x .2" (L) x 8"(H)
Pockets	3 pockets per holder, each pocket 3.5"(L) x 1.5"(W) x 6"(Deep)
Color	Crystal Clear
LCD Specifications	
Advertising LCD display	19" = 16:9, 1280 x 720p 32" = 16:9, 1920 x 1080p
Touch screen display	10" = 16:9, 1280 x 720p; Android OS, touch screen, player interactive game play guide and lucky number app built-in.
Content upload	USB drive, SD card, optional WiFi
Digital Jackpot Header	
Header size	22.5"(W) x 11.25"(H)
Jackpot window	Default = 2 side-by-side jackpot windows Optional = 1 - 6 jackpots
LED Digit	Default = 3" digits; solid segments Optional = 4 - 6 digits
Digit brightness	1500 Lux.
Digital Jackpot Communication	
Wireless technology	USB to RF transceiver, Wireless IT, WirelessMW
Wireless distance (Transmitter and sign)	Default = 300ft (Line-of-sight) Optional = 1000ft (Line-of-sight)
Wireless frequency	432.70 – 434.91 MHz
Communication encryption	Default = Standard encryption Optional = DES encryption
Baud rate	9600 bps



Pro-Lite Lottery
 3505 Cadillac Ave., Bldg. D, Costa Mesa, CA 92626
 US Toll Free 1 (855) 533.5225 International 1 (714) 786.6001
 sales@pro-litelottery.com | www.pro-litelottery.com

DISCLAIMER - All images herein are for illustrative purposes only. Powerball and MegaMillions are registered trademarks of each respective owner. © Copyright 2016 Pro-Lite, Inc.