

# ID-Ball™

**IDBALL™**  
WIRELESS CALLER ID MESSAGE CENTER



Viewable from  
any angle.



ID-Ball is a patent-pending, next generation modern design **wireless** caller ID message center. Much more than just a \*caller ID unit, ID-Ball displays relative information such as **temperature**, **time**, **date**, and **weekday**. With 4 **programmable** message slots, users can program custom daily reminders or schedule messages any day of the year. Access any information on the ID-Ball instantly with the **easy-to-use** wireless infrared remote. ID-Ball easily plugs into any existing phone set-up.

## Display

- Clearly readable in dark or lighted room
- Blue and Red LED models available
- 360° viewing angle

## Features

- Wireless caller ID name, number, time and date
- Display temperature in C° or F°
- Time shown in big digit double-line format
- Program and schedule messages
- Alarm function with message notification
- Built-in daily greetings and Holiday messages

Turn over for additional features ●●●●



**2-in-1 Remote**  
Wireless Infrared Programmer  
/ Caller ID Transmitter

**Pro-Lite®**

3505 Cadillac Ave, Bldg. D  
Costa Mesa, CA 92626  
Ph. 800.223.9223  
Fx. 714.668.9980  
[www.pro-lite.com](http://www.pro-lite.com)

\*Caller ID subscription required.



**Programmable • Easy Readability**  
**360° Viewing Angle • Interactive Wireless Technology**

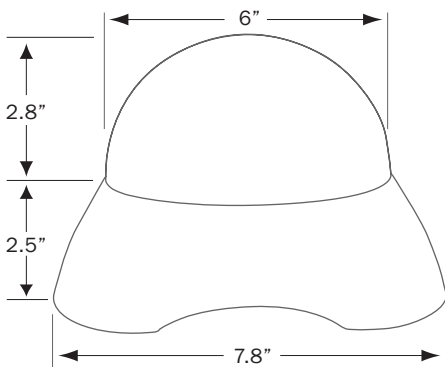
There are 2 IDBALL™ models available. Choose the LED color that fits your style!



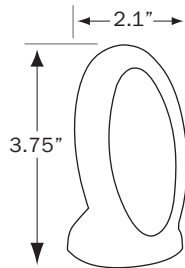
### Additional Features

- 4 programmable message slots each with a character maximum of 42
- Schedule your custom messages
- Built-in year round holiday notifications and daily greetings
- Enable built-in random messages
- Memory back-up
- Alarm function with sound
- Store 30 names and numbers for CID
- 20 CID memory history with time and date
- Show current Time/Date/Day of Week and Temperature (C° or F°)
- Time shown in big digit double-line format
- 12 or 24 hour mode
- Automatically sets to daylight savings time
- Multi-language capable (English or French)

### Unit Dimensions:



### Remote Dimensions:



### Package Includes:



All specifications are subject to change without notice.



3505 Cadillac Ave., Bldg. D, Costa Mesa, CA 92626 • [www.pro-lite.com](http://www.pro-lite.com) • [info@pro-lite.com](mailto:info@pro-lite.com) • 800.223.9223

